

Angular Contact Ball Bearings

Bearing No. : **NACHI 7222DF**

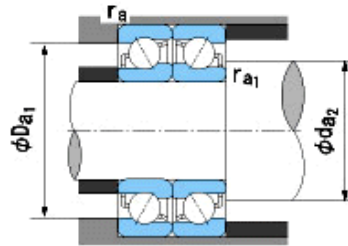
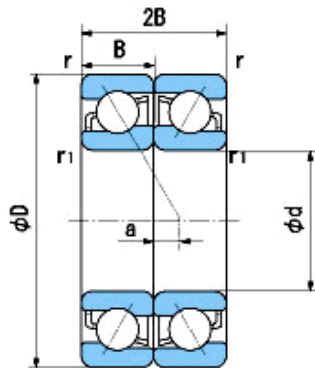
■ Bearing Type

■ Clearance

■ Tolerance Class

Dimensions

d = 110 ⁰_{-0.020}
 D = 200 ⁰_{-0.030}
 B = 38 ⁰_{0.000}
 r = 2.1~4
 (Radial Direction)
 r = 2.1~6.5
 (Axial Direction)
 r1 = 1.1~2
 (Radial Direction)
 r1 = 1.1~3.5
 (Axial Direction)
 a = 25.7



Dimensions

da1(min) = 122
 da2(min) = 117
 Da1(max) = 188
 Da2(max) = 193
 ra(max) = 2
 ra1(max) = 1
 Mass = 9.24 kg

Basic Dynamic Load Rating Cr : **276,000** N
 Basic Static Load Rating Cor : **315,000** N
 Limiting Speed ;
 Grease Lubrication : **2,200** min⁻¹
 Oil Lubrication : **3,000** min⁻¹

	INNER RING	OUTER RING
O.D.Surface Runout with Side :		-
Axial Runout with Bore :	-	
Axial Runout with Raceway :	-	
Width Variation :	0.025	0.025
Radial Runout :	0.025	0.050